

Air Scrubber Owner's Manual

Model
AP - 2000

(220-240 V~, 50 Hz)



Read and save these instructions
www.xpower.com | www.tx-5.com.hk

Index: EU-1-A28
Edition: 1.2.Final

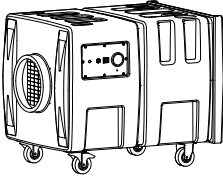
Safety Instructions

WARNING - READ AND SAVE THIS INSTRUCTIONS BEFORE USING THIS PRODUCT.

The user of electrical products may create hazards that include, but are not limited to injury, fire, electrical shock. Failure to follow these instructions may damage and/or impair its operation and void the warranty.

- Before operating, remove all packaging material and check for any damage that may have occurred during shipping or any missing items.
- Check power supply to ensure it matches the appliance's specification.
- **DO NOT** operate any fan with a damaged cord or plug. Discard fan or return it to an authorized service facility for examination and/or repair.
- Use only on GFCI protected receptacles. Please contact a qualified electrician for verification and / or installation of a GFCI receptacle if necessary.
- **DO NOT** run cord under carpeting. **DO NOT** cover cord with rugs or similar floor coverings. **DO NOT** route cord under furniture or appliances. Keep cord away from traffic area to prevent injuries resulting from tripping.
- To reduce the risk of fire or electric shock, **DO NOT** use this machine with any solid-state speed control device.
- **DO NOT** touch this appliance or the plug with wet hands or while standing in water.
- **DO NOT** place this unit in any puddles during operation.
- **DO NOT** use the product in areas where gasoline, paint or other flammable goods and objects are used or stored.
- **DO NOT** insert or allow objects to enter any ventilation or exhaust opening as this may damage the appliance and void the warranty.
- **DO NOT** cover the air inlet or outlet on the appliance.
- **DO NOT** direct the air flow at human faces or bodies.
- **DO NOT** allow children to play with this appliance.
- **AUTOMATICALLY OPERATED DEVICE** – To reduce the risk of injury, disconnect from power supply before servicing.
- Remove the power cord from the electrical receptacle by grasping and pulling on the power cord plug-end only, **DO NOT** pull the cord directly.
- **DO NOT** attempt to repair or adjust any electrical or mechanical functions of this appliance, as this may cause danger and void the warranty.
- If the appliance is damaged or it malfunctions, **DO NOT** continue to use it. Unplug the product from the electrical outlet. Refer to troubleshooting guide or contact XPOWER.
- Store in a dry area, away from exposure to sunlight, extreme temperature and humidity, or other extreme environments, when not in use.
- **DO NOT** stack more than three units of this appliance.
- An electronic instruction manual can be obtained through website: www.xpower.com.

Items Included



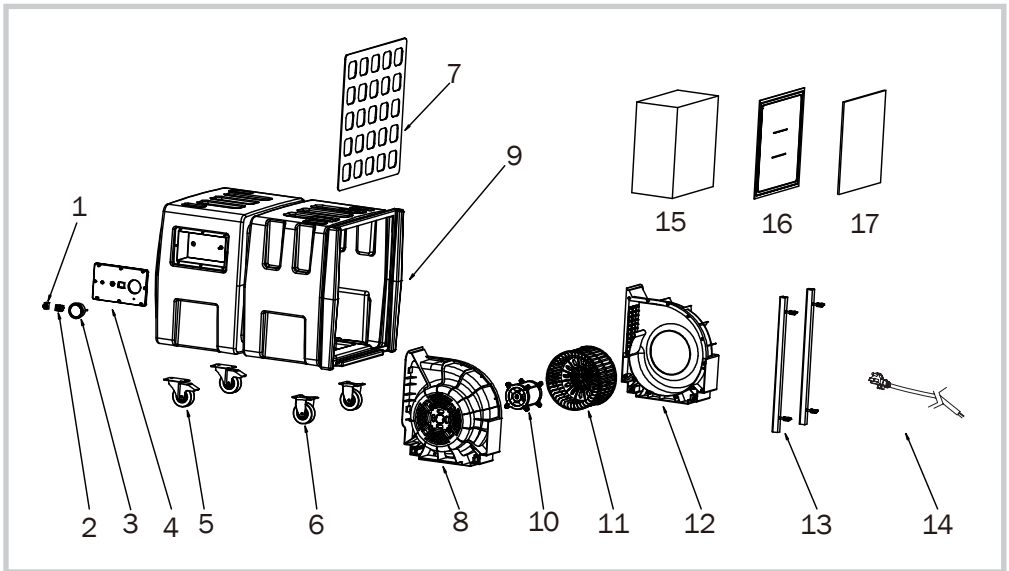
• Air Scrubber x 1



• Owner's Manual x 1

Parts Description

Machine



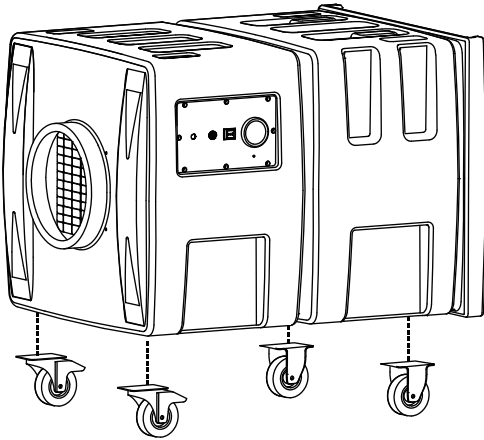
- (1) Circuit Breaker
- (2) Power Switch
- (3) Pressure Gauge
- (4) Control Panel
- (5) Directional Caster
- (6) Fixed Caster
- (7) Inlet Grill Cover

- (8) Motor Right Housing
- (9) Housing
- (10) Motor
- (11) Fan
- (12) Motor Left Housing
- (13) Filter Fixator
- (14) Power Cord

- (15) Wood Box HEPA Filter
- (16) Ring Panel Non-woven Filter
- (17) Non-woven Filter

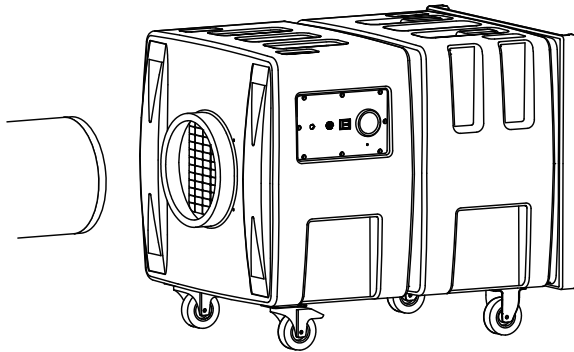
Installation and Operation Guide

Caster Installation



- Install the casters onto the bottom of the housing. Two casters are directional and the other two are fixed.
- Fasten the screws.

Extension Setup (Optional)



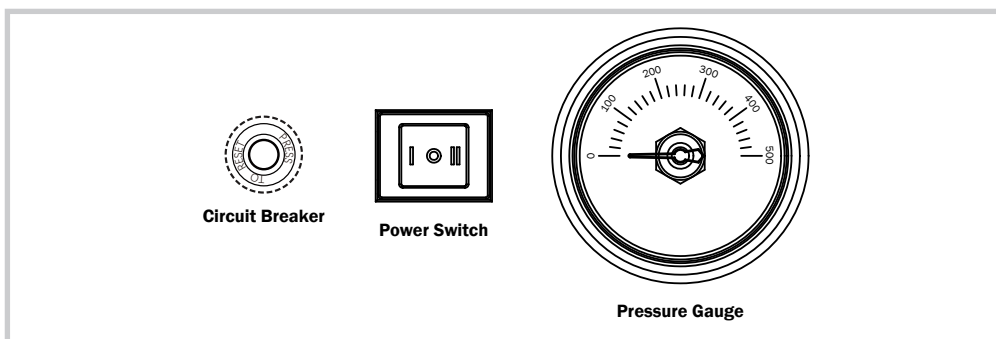
Exhaust Ducting

- Turn off the machine.
- Attach the ducting hose to the exhaust.

Selecting a Location (Important)

- **Enclosed Area:** For optimal efficiency and longer filter lifespan, the Air Scrubber should be operated in an enclosed area. Keep all doors, windows and other outside entrances to the room closed.
- **Air Circulation:** It's suggested to have a constant efficient air circulation inside your working area.
- **Environment Humidity:** For optimal efficiency and higher filter lifespan, the Air Scrubber should not be operated in an environment with a high relative humidity level. High humidity level could cause blockage and damage to filters.
- **Power Cord:** The power cord has a length of 25 feet (7.6 meters). Select a location where the power cord can reach the power source.
- **Inlet and Outlet Orientation:** Also pay attention to the orientation of the air inlet and air outlet. Make sure the airflow won't influence any object nearby the Air Scrubber.
- **IMPORTANT:** The effectiveness of the Air Scrubber can be influenced by different factors. You may also find that installing multiple Air Scrubbers may be required for larger enclosed areas.

Control Panel



Circuit Breaker

If the machine stops working, pressing the **RESET BUTTON** to reset the machine.

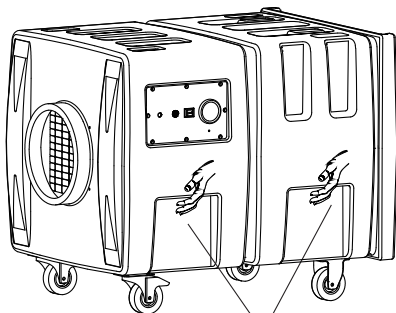
Power Switch

- Turn to “**O**” position to switch the Air Scrubber OFF. Turn to any speed position to switch the Air Scrubber ON.
- “**II**” means the higher speed and “**I**” means the lower speed.

Pressure Gauge

This measures the negative pressure between the motor inlet and filter outlet. If the negative pressure exceeds 350 Pascals, it indicates that the filters might have exceeded the maximum capacity of particles, and the filtration efficiency as well as the airflow have diminished. You should check, clean or replace the filters. (See [Page 8: Filter Maintenance](#))

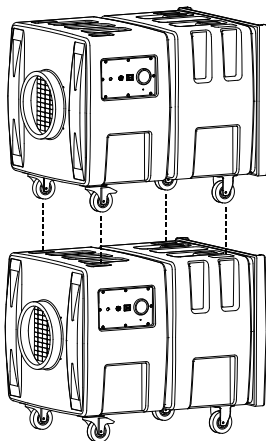
Transportation



Handle

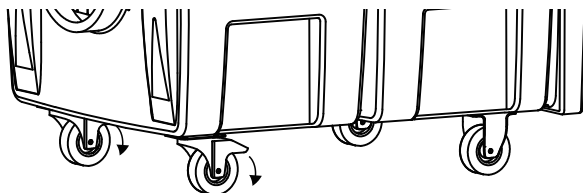
Carry with Handle

Lift the Air Scrubber with the handles on the side of the housing.



Stack in Carrier

You can stack up to 3 Air Scrubbers and transport.



Brake

Use brakes on the directional casters to brake.

User Maintenance Instructions

Frequent maintenance is recommended on this appliance. Failure to follow the maintenance instructions may cause failure of the appliance and void the warranty.

Before performing any maintenance or cleaning, always disconnect the Air Scrubber from its power source.

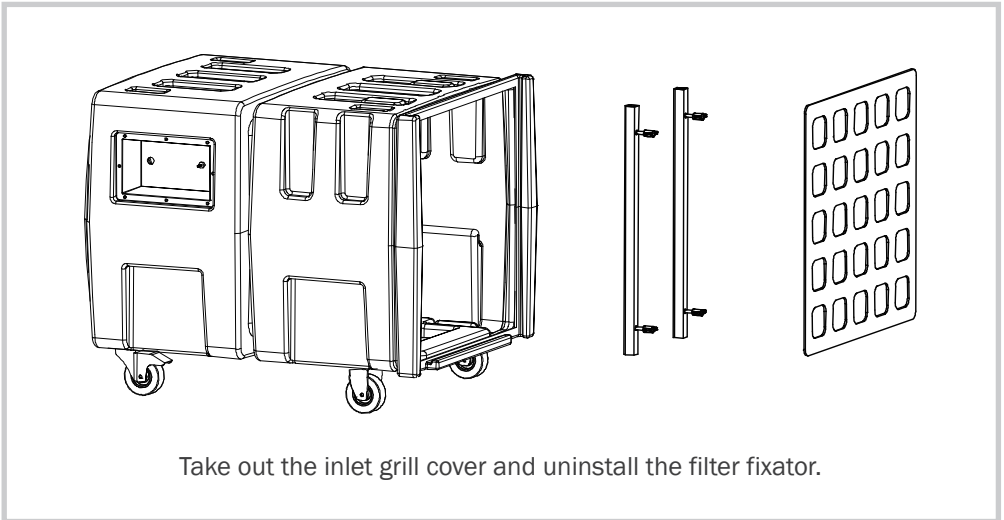
Machine Maintenance

- When not in use, unplug, and uninstall power cords and all the extensions. Store the appliance in a dry and cool indoor place. Make sure it's out of reach of children.
- Use a damp cloth to wipe the surface of the housing. Do not clean the unit with water directly.
- Check if the grille covers are clean. Remove dirt or any other objects that could block the air inlet and air outlet.
- Do not stack more than three units of this appliance.

Filter Maintenance

To ensure the best filtration efficiency and to prevent secondary pollution of used filters, you should replace or clean the filters frequently or when the filter clean/change light illuminates. Please follow the instructions below.

Unload the filters (See Also Page 3: *Parts Description*)



Clean the filters (See Also Page 3: Parts Description)

- **Non-woven Filters***: These filters are washable with water. Use a vacuum or clean cloth to remove loose debris. And then further clean the filter with water. Use a cloth to remove the water on the filter and dry it naturally in the air.
- **HEPA Filters***: This filter is not washable or reusable. Highly concentrated particles are captured by the HEPA filter and cleaning this filter can be hazardous to human health and contaminate the nearby environment. You must replace the filter if all the other filters are clean and however the filter clean/change light still illuminates.

Filter storage

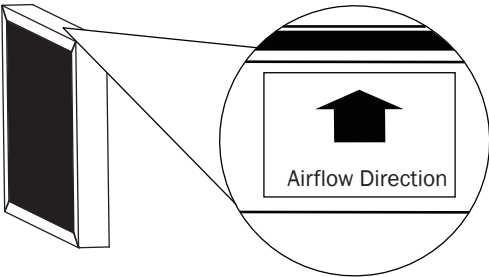
- When not in use for a long time, you should store the filter separately from the machine.
- Always clean the filters before storage. Place the filters in a sealed plastic bag and store it in a dry and cool indoor place.

⚠ WARNING: DISPOSAL OF FILTERS NO LONGER IN USE

The particles captured by a used filter can cause adverse human health effects and contaminate the nearby environment once the filter is exposed to the open air. Adequate personal protection equipment (PPE) is required during the whole process, for example, industry approved masks, eye protectors, gloves and coveralls. You should place the used filters in a sealed plastic bag before disposing. Follow local disposal regulations.

Reload the filters

To ensure the best efficiency and lifespan, each filter must be reloaded in a correct position, sequence and orientation.



Tips:

- On one of the side of each filter, there is a label with an arrow showing the airflow direction.
- When placing the filter, the side with label should face up. The arrow on the label should point to the exhaust.

* All replacement filters are available on www.xpowermfr.com.

Troubleshooting Guide

PROBLEM	POSSIBLE CAUSE	SOLUTION
Air Scrubber does not start	No electricity.	Check for power supply.
	The power cord is not properly plugged in.	Remove and reconnect the power cord.
	The circuit breaker on the additional electrical receptacle (Daisy chain) trips.	Remove all appliances on the additional electrical receptacle and press circuit reset button.
Unit runs but no or very low air movement	Air outlet is blocked.	Remove blockage.
	Filters are fully loaded. The filter clean/change light illuminates.	Clean or replace the loaded filters. (See Page 8: Filter Maintenance)
The additional electrical receptacle has no power	The circuit breaker trips.	Press circuit reset button.

If troubleshooting does not resolve your problem, please contact XPOWER or other parties authorized by XPOWER for further instructions.

Technical Specification

Machine Specification

MODEL NUMBER	AP-2000
Voltage/Frequency	220 - 240 V~50 Hz
Amperage	2.5 A
Rated Airflow	1600 CFM
Speed Control	2 Speeds
Cord Length	7.6 m
Unit Dimension (L) x (W) x (H)	102.0 x 73.5 x 82.0 cm
Unit Weight	50.88 kg
Safety Certification	CE

Filter Specification

FILTER MODEL NUMBER	Type of Filter	Size	Thickness	Function
NF-24	Non-woven Filter	24 x 24 in.	-	Primary filtration for visible and coarse particles.
NF-24-RP	Ring Panel Non-woven Filter		-	
HEPA-300-WB	Wood Box HEPA Filter		12 in.	Final filtration for micro particles.

XPOWER Limited Warranty

1 YEAR LIMITED WARRANTY

XPOWER-branded products purchased in the U.S. from authorized distributors include a 1-year limited warranty. Contact XPOWER to confirm warranty information about your product(s).

This limited warranty covers defects in materials and workmanship in your XPOWER-branded products. Contact an XPOWER Distributor in your region for warranty service and parts replacement.

Items mentioned but not limited to below are not covered by warranty:

- (1) Power cord, batteries, filters or any other components considered as a “consumable parts” by XPOWER.
- (2) Normal wear and tear.
- (3) Problems that result, directly or indirectly, at XPOWER’s sole discretion, from:
 - (3.1) External causes such as accident, abuse, misuse or problems with electrical power supply.
 - (3.2) Disassembling, servicing or modification not authorized by XPOWER.
 - (3.3) Usage that is not accordant with product instructions stated in Owner’s Manual.
 - (3.4) Failure to follow the product instructions or lack of necessary maintenance stated in Owner’s Manual.



XPOWER Manufacture, INC.

668 S. 6th Ave.,
City of Industry, CA 91746 USA

Read and save these instructions
www.xpower.com | www.tx-5.com.hk

Index: EU-1-A28
Edition: 1.2.Final