



MODEL: **B-55** (220-240V/50Hz)

**2-IN-1**

**Pro-At-Home Pet Dryer + Vacuum  
OWNER'S MANUAL**

XPOWER MANUFACTURE, INC.  
220 Clary Avenue  
San Gabriel, CA 91776, USA



Nozzles  
included



PLEASE READ AND SAVE THESE INSTRUCTIONS

## **INTRODUCTION**

Thank you for purchasing the B-55 Pro-At-Home Pet Dryer from XPOWER! A trusted name in professional pet grooming, XPOWER is now bringing our professional technology to your home. Extremely powerful and easy to use, you can give your pet that professional salon appearance while saving time and money. The B-55 offers a rugged housing for durability and is engineered for quiet operation. It includes three different styling nozzles and is equipped with two drying speeds to handle a range of different pet coats. A high RPM motor generates a gentle heated air output that speeds up drying while still keeping your pet safe. The B-55 also multifunctions as a forced air dryer to clean computers, car interiors, and any other small crevices with ease.

### Special Features:

- Extra low noise level.
- 2-in-1 function: Pet Dryer and Vacuum.
- Powerful 1000W Motor
- High impact and rugged ABS housing material.
- Easy-to-change and washable filter.
- 2-speed settings, 3-way switch.
- 1.5m heavy duty flexible hose.
- Heavy duty blower nozzles for different pet drying applications.
- Compact, lightweight and portable, ideal for “house calls” and home use.

## **TABLE OF CONTENTS**

Introduction .....	1
Operation .....	2-3
Specifications .....	4
Safety Instructions .....	5
Parts List .....	6
Maintenance .....	7-8
Warranty / Service.....	9

### **OPERATION**

1. Place the dryer on a flat surface. Plug the electrical cord into an outlet.
2. Screw the hose on clockwise to connect to the front hose connector (Fig. A). Attach the desired nozzle. Keep the inlet filter and crossed cover in place on the rear cover. Turn on switch to desired speed.
3. All units in use must be monitored at all times.
4. Do not vacuum the water on animal when it's used as a vacuum.
5. To reduce the risk of injury, close supervision is necessary when an appliance is used near children. Do not allow children to play with or around a dryer at any time.

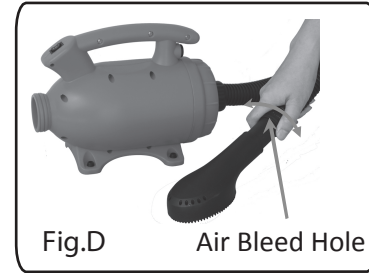
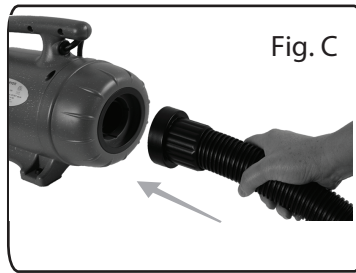
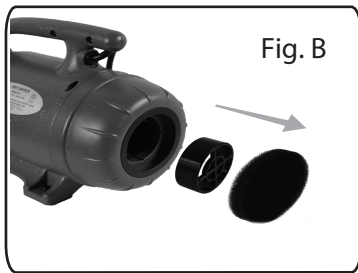


### **DRYING TIPS**

- Before washing, use pet dryer with the cone nozzle to blow out dirt and loose fur from the top coat and undercoat. Brush pet thoroughly and separate matted fur.
- After washing, thoroughly towel dry pet to remove excess water. Use the dryer with desired nozzle to blow off excess water from the large areas of the body (torso, back, hind area).
- Use detail nozzles for smaller areas (underarms, feet, neck area). Be extremely careful not to direct airflow to the pet's eyes, ears or nose.

## VACUUM OPERATION

1. Unscrew the hose from the front connector.
2. Remove outer inlet filter and crossed cover of the rear cover (Fig. B).
3. Connect the hose to the rear cover connector (Fig. C) and attach square nozzle.
4. ALWAYS keep air bleed intake hole on the hose open when vacuuming in order to prevent overheating motor (Fig. D).
5. **IMPORTANT!** Cleaning Dryer Dust Case, Rear Cover and Filters is required BEFORE converting unit back to dryer. See maintenance section for complete cleaning instructions. Serious damage to the motor can occur in drying mode if clean filters and dust case are not in place.



- **Important:** Always keep air bleed hole on the hose open when vacuuming in order to prevent overheating of the motor. This hole is usually closed when drying.

- 3 -

## Safety Instructions

**WARNING: IMPORTANT SAFETY PRECAUTIONS!**  
**PLEASE READ COMPLETELY BEFORE USING PRODUCT!**

When using electrical appliances, especially when children or animals are present, basic safety precautions should always be followed to reduce the risk of fire, electric shock, and personal injury. These include, but are not limited to the following:

- Do not leave the dryer and animal unattended while the product is in use.
- Unplug dryer when not in use.
- Do not use extension cords with the dryer product.
- Do not unplug unit by pulling on cord.
- Do not expose dryer to rain or water, do not use the appliance to suction water.
- Unplug unit before attempting any maintenance or service.
- Do not let air-intake get clogged.
- Do not direct dryer air towards eyes or ears of people or pets.
- Never use dryer with a damaged cord/plug or when unit has been dropped, damaged, or exposed to rain/water.
- Do not use any other nozzles not intended for use with the dryer.
- Do not operate without filter in place. Keep filter clean, as a dirty filter limits air intake and may damage the motor or cause overheating.
- Always confirm that the amperage rating of the electrical outlet complies with the Dryer + Vacuum rating.
- Do not use product for anything other than its intended purpose.
- Do not attempt to perform any service or maintenance not outlined in the instruction manual.
- If the supply cord is damaged, it must be replaced by the manufacturer or its service agent or a similarly qualified person in order to avoid a hazard.
- This appliance can be used by children aged from 8 years and above persons with reduced physical, sensory or mental capabilities or lack of experience and knowledge if they have been given supervision or instruction concerning use of the appliance in a safe way and understand the hazards involved.
- Children should not play with the appliance.
- Household and Indoor use only.
- Cleaning and user maintenance shall not be made by children without supervised.

- 5 -

## SPECIFICATIONS

<b>Model</b>	<b>B-55</b>
<b>Volt/Cycle</b>	220-240V / 50Hz
<b>Horse Power</b>	1000W
<b>Amp Draw</b>	4.4A
<b>Unit Weight</b>	3.4 kgs
<b>Speeds Control</b>	2 Speeds: Hi / Low
<b>Size (L x W x H)</b>	33 x 15.2 x 23cm
<b>Cord Length</b>	1.5m
<b>Hose Length</b>	1.5m
<b>Overheating Protection</b>	Thermal
<b>Max. Airflow</b>	100 CFM
<b>Housing Material</b>	ABS

### Nozzles included

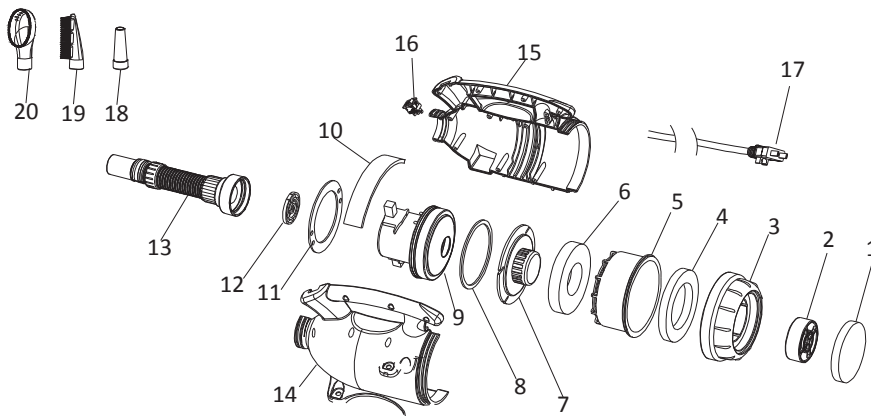


1	Cone Nozzle
2	Vented Comb Nozzle
3	Curry Nozzle

- 4 -

## PARTS LIST

1	Inlet filter	8	Sponge pad 1	15	Right housing
2	Crossed cover	9	Motor	16	Switch
3	Rear cover	10	Sponge pad 2	17	Power cord
4	Dust case filter	11	Sponge pad 3	18	Cone nozzle
5	Dust case	12	Air outlet grid	19	Vented comb nozzle
6	Motor filter	13	Hose	20	Curry nozzle
7	Dustproof cover	14	Left housing		



- 6 -

## **MAINTENANCE**

### **Product Maintenance:**

1. To keep the Forced Air Dryer + Vacuum clean, use a damp cloth to wipe the surface of the housing.
2. Never clean the unit with water.
3. When not in use, unplug and store the Forced Air Dryer + Vacuum in a dry indoor place and keep out of reach of children.
4. Always disconnect the Forced Air Dryer + Vacuum from its power source before performing any maintenance or cleaning.
5. Clean the filter as often as necessary to avoid loss of airflow.
6. Any other servicing should be performed by an authorized service representative.

### **Cleaning Dryer Dust Case, Rear Cover and Filters:**

The Filter System for the XPOWER Forced Air Dryer + Vacuum (including dust case, rear cover and filters) should be kept clean regularly. If the dust case is full of dirt or the filters become heavily coated, the air output and input of your Dryer + Vacuum will reduce and this can cause damage to the motors or cause the motors to overheat. You should never operate the dryer without filters in place. Make sure filters are dry before using them. Rotate with the included extra filters to make sure you always have clean and dry filters available.

### **IMPORTANT!**

Always turn off the unit and disconnect from electrical outlet before cleaning.

- 7 -

## **XPOWER LIMITED WARRANTY**

XPOWER warrants this product to be free from defects in material and workmanship for a period of one (1) year from the date of original purchase.

Wearable parts including but without limitation, filters, motor brushes, hoses and power cords are excluded from the warranty.

The liability of XPOWER is limited solely to the cost of the repair or replacement of the unit at XPOWER's discretion. This warranty does not cover normal wear of parts and does not apply to any unit that has been tampered with or used for commercial purposes. This limited warranty does not cover damage caused by misuse, abuse, negligent handling or damage due to faulty packaging or mishandling in transit. This warranty does not cover damage or defects caused by or resulting from damages from shipping or repairs, service or alterations to the product or any of its parts, which have been performed by a repair person not authorized by XPOWER.

## **SERVICE**

Contact an XPOWER Distributor in your region for Warranty service and parts replacement.

- 9 -

## Vacuum & Filter Maintenance



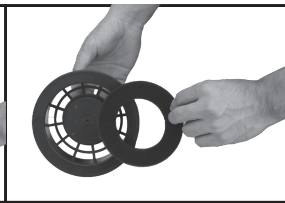
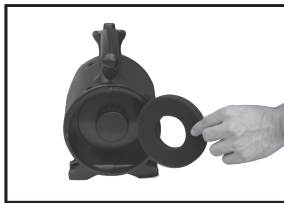
1. Turn the rear cover counter-clockwise to remove the cover.



2. Take the complete set of dust case and rear cover out of the unit. Keep the rear cover on top so that the hair and dirt are in the dust case.



3. Dump the dirt out of the dust case.



4. Rinse all filters (motor filter, dust case filter, inlet filter) with water.
5. Reinstall in reverse order when all parts are completely dried.

- 8 -

## XPOWER PET DRYERS FOR RETAIL GROOMING LINE



Three colors (pink, green and purple) are available for each model.

XPOWER also has a complete professional grooming line, which provides Force Dryers, Stand Dryers, Cage Dryers and Purifying System.

- 10 -

## XPOWER Pet Dryers

### Blasters (Forced Air Pet Dryers + Vacuums)

**B-55,B-2 (1000W/ 4.4 Amps / 100 CFM)** - for home use

B-3 (1000W/ 4.4 Amps / 130 CFM)

B-4 (1200W /5.2 Amps / 150 CFM)

### Blasters (Forced Air Pet Dryers)

B-24 (1800W / 7.8 Amps / 150 CFM)

B-27(2500W /10.8 Amps / 180 CFM)

### Pet Dryer

B-53(550W/2.4Amps/90CFM)

### Finish / Stand Pet Dryer

B-16 (1400W / 6 Amps / 300 CFM)

B-18 (2000W / 8.7 Amps / 380 CFM)

### Cage Dryers

X-400TF w/ 430MDK (350W / 1.5 Amps / 1600 CFM)

X-800TF w/ 800MDK (700W / 3 Amps / 3200 CFM)

